

MEASUREMENT SHEET

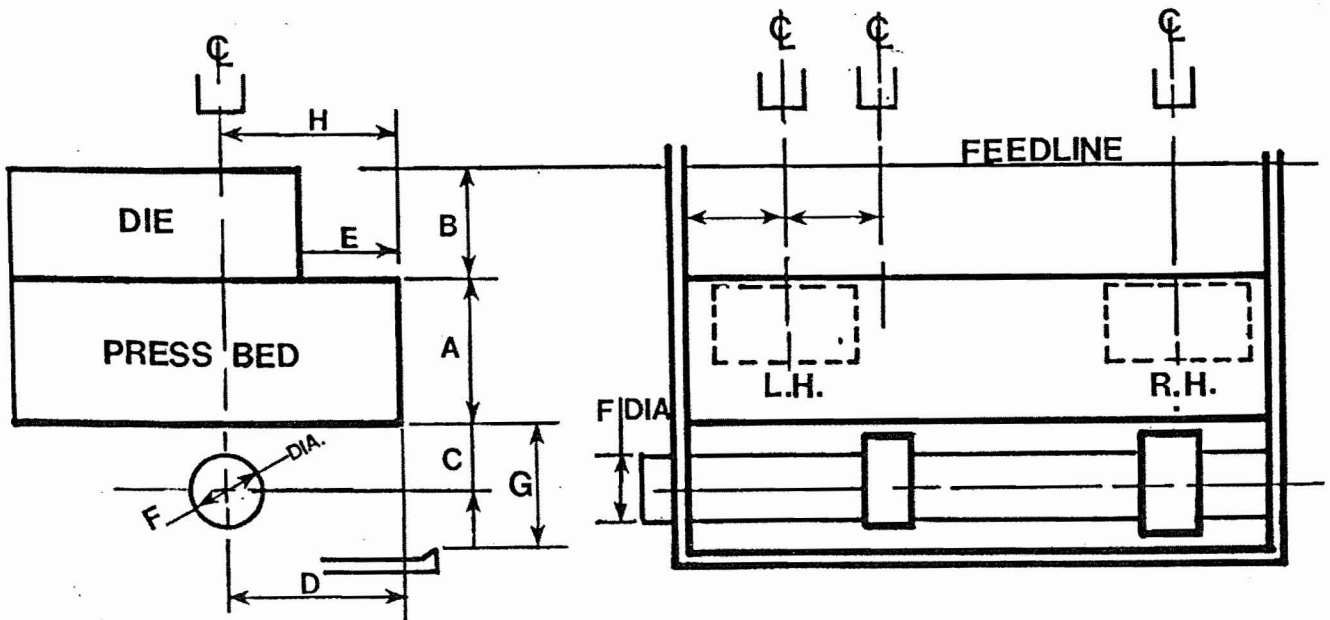
Use this form or a photocopy when ordering

ACCOUNT OF: _____ SHIP TO: _____

ORDER NO: _____ INSTALL ORDER NO: _____

PRESS MAKE _____ SHOP NO. _____

MODEL NO: _____ FEEDER NO: _____



DIM. MEASUREMENT SHEET

A:	L.H. MOUNT:	BLANK DIA:
B:	R.H. MOUNT:	
C:		
D:		
E:		
F:	DIA.	
G:		
H:		



97 South Pomperaug Avenue – Woodbury, CT 06798 – Phone (203) 263-2160 – FAX (203) 263-0601